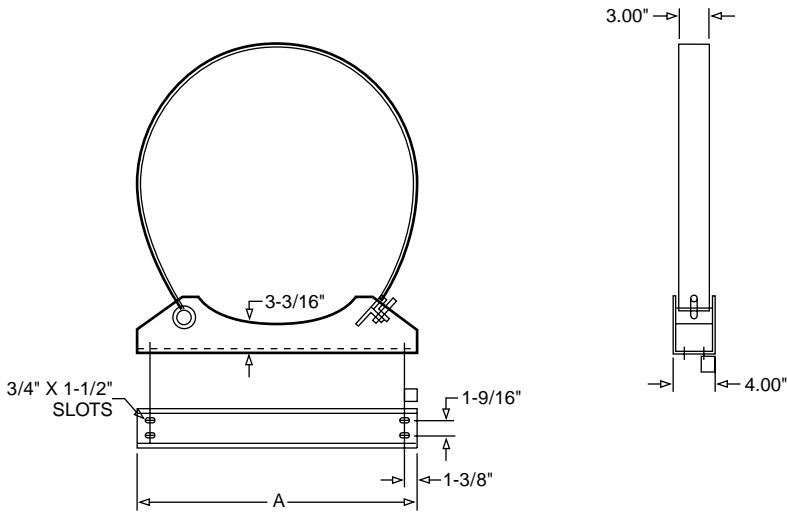
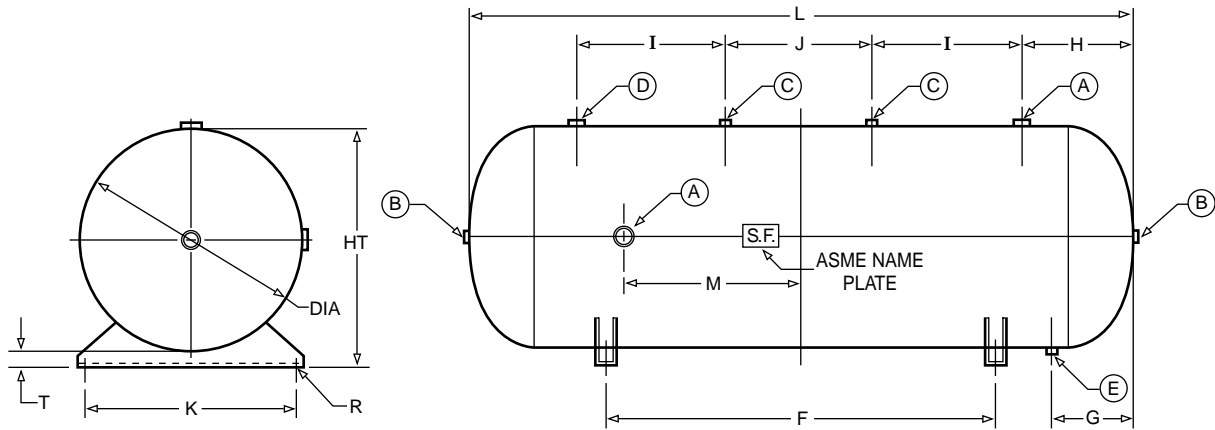


WALL - TRUCK - CEILING MOUNTS FOR SLICK RECEIVERS



PART NUMBER	DIMENSIONS	
	DIA"	A"
S100147	16	13-1/2
S100148	20	18-3/4
S100149	24	23-3/4
S100150	30	27-1/2

INDUSTRIAL HORIZONTAL AIR RECEIVERS WITH FEET ONLY



P/N	PSI	GAL	DIA	OPENINGS (NPT) "						DIMENSIONS "									
				L	A	B	C	D	E	F	G	H	I	J	K	R	M	HT	T
A10344	137	400	36	93	3	2	1/2	1-1/2	3/4	56	14	15	21	22	32	3/4	21	39	3
A10346	165																		
A10348	200																		
A10352	165	500	36	116	3	2	1/2	1-1/2	3/4	72	14	15	21	38	32	3/4	29	39	3
A10354	200																		