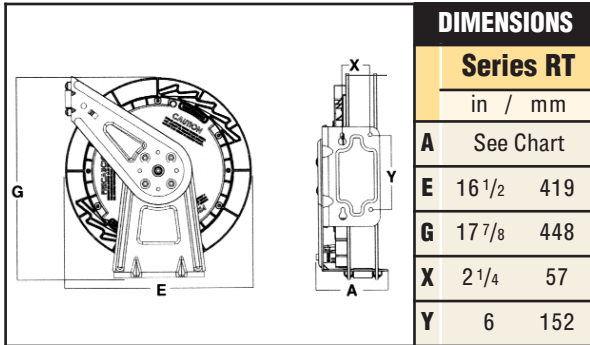




RT650-OLP
Patent No. 7,150,425

Made in USA



Spring Driven Air/Water/Oil/Grease Series RT - 1/4", 3/8", 1/2" I.D.

Reelcraft presents Series RT, a new, lighter spring-driven hose reel designed for applications that are less demanding, yet require a product that can withstand industrial use.

Structural Strength

Heavy gauge steel stampings with re-reinforced ribs increase strength.

Trouble-Free Maintenance

The industrial-grade drive spring is protected from the environment.

Hose Retracts Every Time

The latch mechanism is mounted on the guide arm to eliminate latch-out at full extension of hose.

Long Lasting Latch Spring

A stainless steel torsion spring is used on the latch to insure maximum life.

Long Swivel Life

Our field-proven swivel assures long service life.

Corrosion Resistance

Steel components are individually powder coated and teamed with composite materials, which virtually eliminates corrosion.

Versatile Mounting

The guide arm can be adjusted to seven convenient locations.

Lighter weight

Composite spool and steel components make the reel strong yet lighter.

MODELS WITH HOSE				HOSE CAPACITY				MODELS WITHOUT HOSE				
MODEL	WEIGHT	PRESSURE	I.D.	O.D.	(M)NPTF OUTLET	(F)NPTF INLET	LENGTH	MODEL	WEIGHT	PRESSURE	A	
	lbs / kg	psi / bar							in / mm	in / mm		in
LOW PRESSURE AIR/WATER REELS Maximum Temperature 150° F (65° C)												
RT425-OLP	21 10	300 21	1/4 6	.500 13	1/4	3/8	25 8	RT402-OLP	19 9	300 21	5 3/4 146	
RT435-OLP	22 11	300 21	1/4 6	.500 13	1/4	3/8	35 11	RT403-OLP	19 9	300 21	5 3/4 146	
RT450-OLP	25 12	300 21	1/4 6	.500 13	1/4	3/8	50 15	RT405-OLP	21 10	300 21	5 3/4 146	
RT465-OLP	27 12	300 21	1/4 6	.500 13	1/4	3/8	65 20	-----	-- --	--- ---	--- ---	
RT625-OLP	22 11	300 21	3/8 10	.640 16	1/4	3/8	25 8	RT602-OLP	19 9	300 21	5 3/4 146	
RT635-OLP	23 11	300 21	3/8 10	.640 16	1/4	3/8	35 11	RT603-OLP	19 9	300 21	5 3/4 146	
RT650-OLP	29 14	300 21	3/8 10	.640 16	1/4	1/2	50 15	RT605-OLP	23 11	300 21	6 1/4 159	
RT825-OLP	28 13	300 21	1/2 13	.781 20	1/4	1/2	25 8	RT802-OLP	23 11	300 21	6 1/4 159	
RT835-OLP	30 14	300 21	1/2 13	.781 20	1/2	1/2	35 11	RT803-OLP	23 11	300 21	6 1/4 159	
RT850-OLP	35 16	300 21	1/2 13	.781 20	1/2	1/2	50 15	RT805-OLP	25 12	300 21	7 3/4 197	
MEDIUM PRESSURE OIL REELS Maximum Temperature 150° F (65° C)												
RT625-OMP	27 12	1000 69	3/8 10	.640 16	3/8	3/8	25 8	RT602-OMP	22 10	1000 69	5 3/4 146	
RT635-OMP	30 14	1000 69	3/8 10	.640 16	3/8	3/8	35 11	RT603-OMP	22 10	1000 69	5 3/4 146	
RT650-OMP	35 16	1000 69	3/8 10	.640 16	3/8	1/2	50 15	RT605-OMP	25 12	1000 69	7 3/4 197	
RT825-OMP	31 15	1000 69	1/2 13	.820 21	1/2	3/8	25 8	RT802-OMP	23 11	1000 69	6 1/4 159	
RT835-OMP	33 16	1000 69	1/2 13	.820 21	1/2	1/2	35 11	RT803-OMP	23 11	1000 69	6 1/4 159	
HIGH PRESSURE GREASE REELS Maximum Temperature 150° F (65° C)												
RT425-OHP	28 13	5000 345	1/4 6	.590 15	1/4	3/8	25 8	RT402-OHP	22 10	5000 345	5 3/4 146	
RT435-OHP	31 15	5000 345	1/4 6	.590 15	1/4	3/8	35 11	RT403-OHP	22 10	5000 345	5 3/4 146	
RT625-OHP	30 14	4000 276	3/8 10	.750 19	3/8	3/8	25 8	RT602-OHP	22 10	5000 345	5 3/4 146	
RT635-OHP	34 16	4000 276	3/8 10	.750 19	3/8	1/2	35 11	RT603-OHP	23 11	5000 345	6 1/4 159	
RT650-OHP	39 19	4000 276	3/8 10	.750 19	3/8	1/2	50 15	RT605-OHP	25 12	5000 345	7 3/4 197	

North America: 800-444-3134 Asia: +63 (45) 625-6624
Europe: +44 (0) 1536 406999 Latin America: 260-489-1685

www.reelcraft.com

Reelcraft Industries is
ISO 9001:2000
Certified Since 1996

Models listed with an icon can be shipped same day upon request when the order is received by 11:30 AM local time for quantities of 5 or fewer.

Indiana Warehouse California Warehouse
 Indiana & California Warehouses Canadian Warehouse