



Sullivan
Palatek

DG-SERIES

25-40 HP \ DIRECT GEAR DRIVE \ INDUSTRIAL ELECTRIC COMPRESSORS



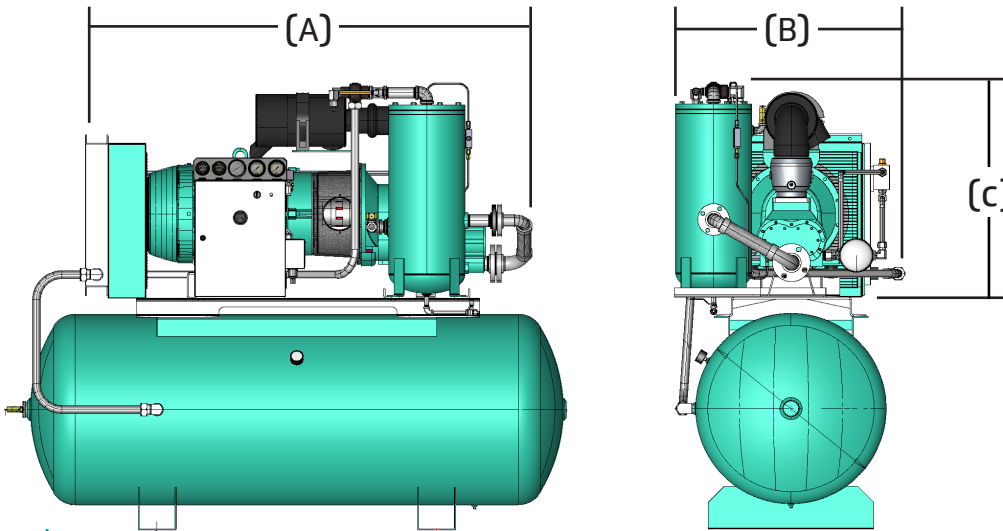
25 DG \ 30 DG \ 40 DG

Dependable by design.™

SPECIFICATIONS

Model		DG-25	DG-30	DG-40
Capacity @ 125 PSI	acfm	105	*120	*150
Motor	hp (kW)	25 (19)	30 (22)	40 (30)
Motor Speed	RPM	1,750	1,750	1,750
Sump Capacity	gallons (liters)	5.36 (20.29)	5.36 (20.29)	5.36(20.29)
Discharge NPT	inches	1"	1 ¼"	1 ¼"
Length (A)	inches (mm)	61 (1,549)	61 (1,549)	62 (1,575)
Width (B)	inches (mm)	33 (838)	35 (889)	35 (889)
Height (C)	inches (mm)	37 (940)	37 (940)	37 (940)
Weight	pounds (kg)	950 (431)	990 (449)	1,220 (553)

* Capacity in accordance with CAGI / ISO 1217 (Annex C / Annex E)



* tanks size may vary



« Air Compressor shown with microprocessor and optional enclosure

FEATURES

COMPRESSOR UNIT:

- » Fluid flooded rotary screw, continuous duty, industrial air compressor.
- » Direct coupled to motor for positive alignment.

ELECTRIC MOTOR:

- » Nema T-frame, (TEFC), squirrel cage induction type.
- » 230/460/3/60

MOTOR STARTER:

- » Full voltage magnetic starter with 115 controls, Nema 4 enclosure, circuit breaker, transformer and three-phase overload protector.
- » Wye Delta and VFD optional

COUPLING & DRIVE:

- » Compressor is flange mounted to motor C-face for positive alignment and gear driven with low maintenance coupling.

AIR INTAKE FILTER:

- » Corrosion resistant housing
- » Oversize multi-stage dry type with replaceable element.

COOLING SYSTEM:

- » Air-cooled oil aftercooler and factory filled with Palasyn 45 synthetic lubricant.

CONTROLS:

- » Auto dual control, full modulation, timed stop or constant run gauge (optional)
- » Solenoid controlled for smooth operation and lowest possible no load power.
- » Optional line pressure gauge, fluid reservoir sightglass, hour meter, discharge temperature gauge, fluid filter and separator element differential gauges.

INSTRUMENTATION:

- » Microprocessor

PROTECTIVE DEVICES:

- » Class 20 overload relay, high temperature and overpressure shutdown.

LUBRICATION:

- » Factory filled with Palasyn 45.
- » Equipped with microfiber full flow, spin on oil filter.

Sullivan-Palatek, Inc.

1201 West US Highway 20
Michigan City, IN 46360

219.874.2497

sullivan-palatek.com

info@palatek.com