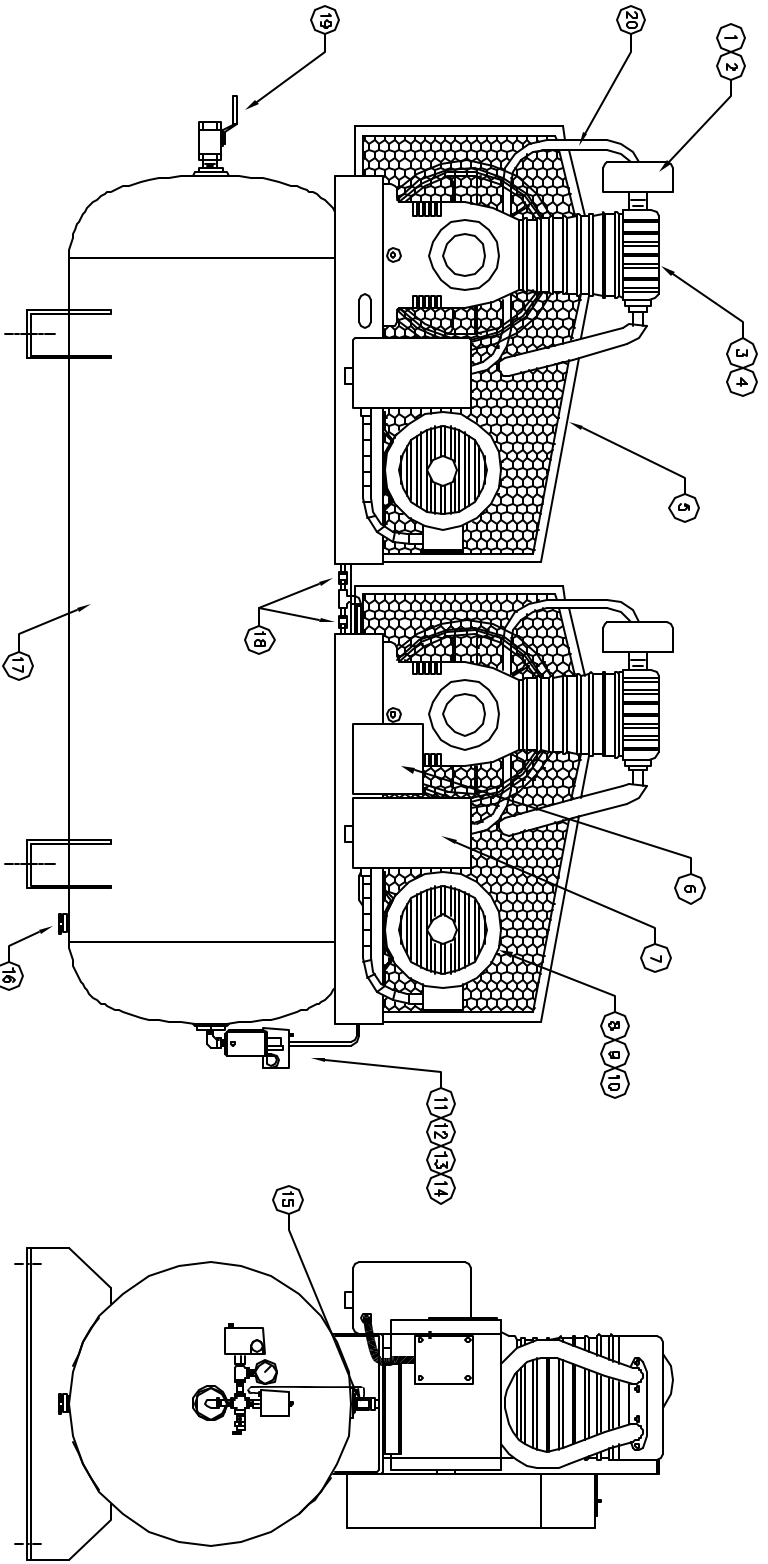


PART NUMBER	DESCRIPTION
1 367-9401	FILTER ASSEMBLY
2 367-9701	FILTER ELEMENT
3 247-4602	COMPRESSOR PUMP
4 432-2-1	FLYWHEEL - 20" OD
5 EG-9485	BELT GUARD
6 ALT230	ALTERNATOR RELAY 230V
TRN-460230	TRANSFORMER (460V UNIT)
TRN-576230	TRANSFORMER (575V UNIT)
7 MS-140-03	MAG STARTER 230-60-1
MS-340-43	MAG STARTER 200/230/460/575-60-3

8 MO-9033	MOTOR 230-60-1
MO-6907	MOTOR 200-60-3
MO-6535	MOTOR 230/460-60-3
MO-9614	MOTOR 675-60-3
9 PU-9793	MOTOR PULLEY
10 BT-9042	BELTS (1 PHASE)
BT-39	BELTS (3 PHASE)
11 SSS-9003U115150	PRESSURE SWITCH C/W UNLOADER
12 SSS-9003-115150	PRESSURE SWITCH
13 GA-250	PRESSURE GAUGE
14 TIA-5200	SAFETY VALVE 200 PSI

15 CVV-9403	CHECK VALVE
16 SS-2707	DRAIN COCK
17 TA-9480-3	TANK - 120 GALLON DUPLEX
18 VA-9715-1	CHECK VALVE
19 VA-9705	BALL VALVE
20 CT-9739	AFTERCOOLER

REV.	DATE	REVISION DESCRIPTION	PON. NO.
A	17.02.05	BELTS, PULLEY CHANGED	05-02



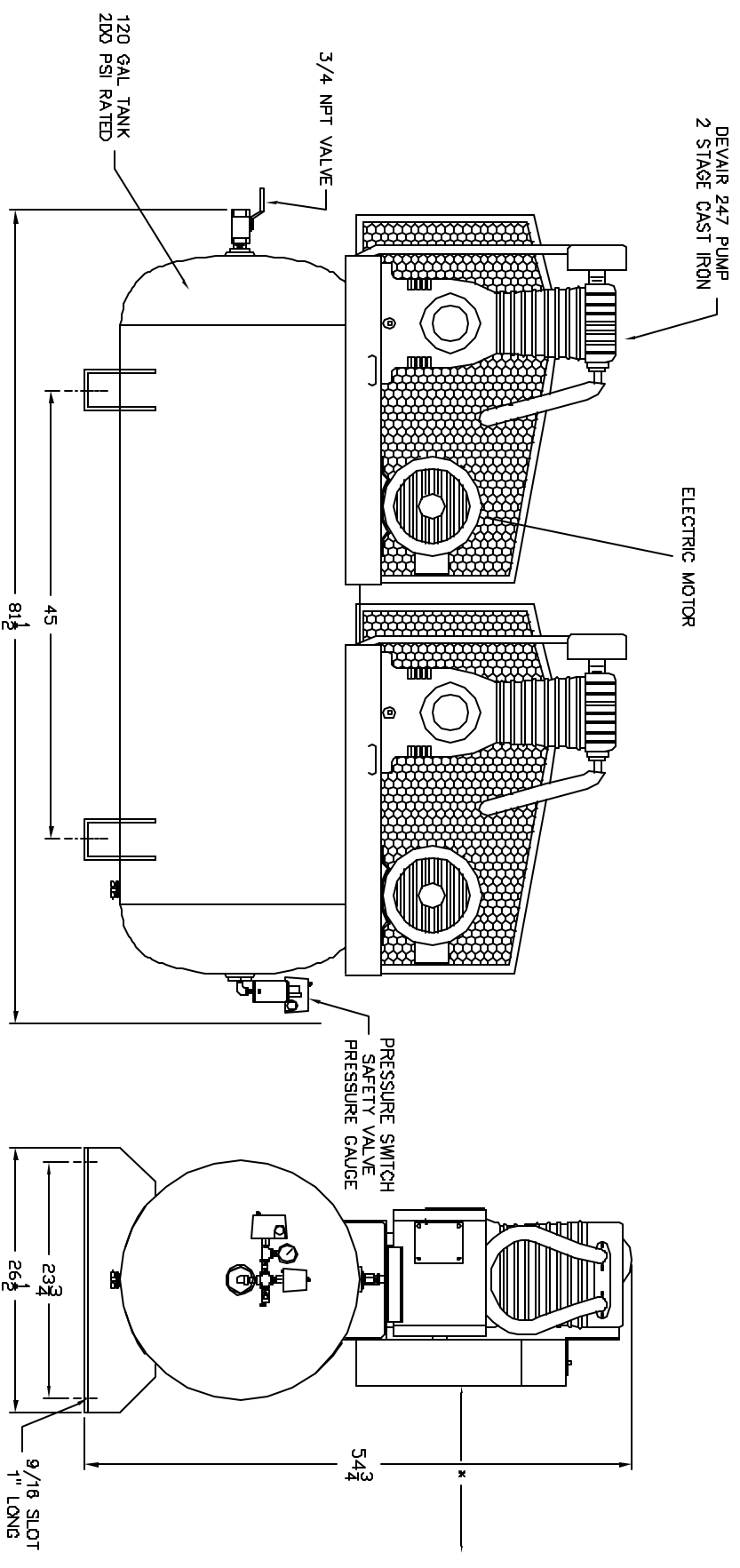
IMPORTANT NOTE: This print is the confidential property of DEVAIR, INC. It is not to be used or reproduced in any manner, nor submitted to other parties for examination without the prior approval of DEVAIR, INC.

FRACTIONAL DIMENSIONS: ±.002
 DECIMAL DIMENSION: ±.005
 UNLESS OTHERWISE SPECIFIED

DEVAIR

NAME OF PROJECT		DESCRIPTION OF DRAWING	
7.5 HP DUPLEX UNIT C/W 247 PUMPS	DATE	COMPRESSOR UNIT	DRAWING NO.
DRAWN BY	CHECKED BY	SCALE	SHT NO/REV
ADAM SMITH	DEC 3 2005	N.T.S.	TAS-5562

REV.	DATE	REVISION DESCRIPTION	PON. NO.
A	17/02/05	AMP DRAW @ 230-00-1 WAS 31.0	00-02



COMPRESSOR OUTPUT DATA				PRESSURE SETTING		RECEIVER CAPACITY		COMPRESSOR PUMP DATA			WEIGHT		ELECTRICAL			
MODEL	HP	DISPL. SCFM	DEL'Y SCFM	PSIG	KPA	GAL.	LITRS	TYPE	CYLD.	STAGE	RPM	LB.	KG.	VOLTAGE	F.L.A.	SCALE
TAS-5562	7.5	2 X 28.9	2 X 25.9	150	10.34	120	454	247	2	2	800	1103	500	230/1	36.0	23.0
														200/3	23.0	21.6
														230/3	10.8	8.2
														480/3	10.8	8.2
														575/3	8.2	8.2

* Allow 18" minimum clearance for proper air flow across the compressor.

IMPORTANT NOTE: This print is the confidential property of DEVAIR, INC. It is not to be used or reproduced in any manner, nor submitted to other parties for examination without the prior approval of DEVAIR, INC.

FRACTIONAL DIMENSIONS: ± 1/32
 DECIMAL DIMENSION: ± .005
 UNLESS OTHERWISE SPECIFIED



NAME OF PROJECT				DESCRIPTION OF DRAWING			
7-1/2 HP HEAVY DUTY SERIES DUPLEX COMPRESSOR				COMPRESSOR OUTPUT			
DRAWN BY	CHECKED BY	DATE	SCALE	DRAWING NO.	SHT NO.	REV.	
A SMTH		20NOV00	N.T.S.	TAS-5562			A