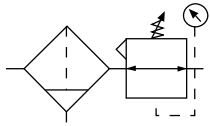


Filter / Regulator B08

= "Most Popular"



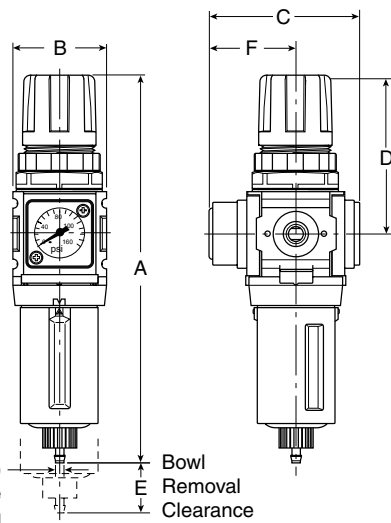
B08-01-FKG0

Features

- Space-Saving Integral Filter / Regulator Design
- Unique Flush-mounted Pressure Gauge Available
- Balanced Valve Design
- Modern Design and Appearance
- Light Weight
- High Flow Capacities
- Quick-Disconnect Bowl / Bowl Guard

⚠ WARNING

**Product rupture can cause serious injury.
Do not connect regulator to bottled gas.
Do not exceed maximum primary pressure rating.**



NOTE: Flush-mounted gauge kits will not fit units originally purchased with threaded gauge ports.

5/32" (4 mm) I.D. Tube Barb Fitting
Bowl Removal Clearance

Dimensions

Models	Inches (mm)	A	B	C	D	E	F
Standard Unit B08-XX-FK00		6.46 (164.1)	1.58 (40.0)	1.70 (43.1)	2.60 (66.0)	1.31 (33.3)	.85 (21.6)
Automatic Piston Drain B08-XX-FRG0		6.46 (164.1)	1.58 (40.0)	2.53 (64.3)	2.60 (66.0)	1.31 (33.3)	1.45 (36.8)

Specifications

Flow Capacity*	1/8	28 SCFM (13.2 dm ³ /s)
	1/4	42 SCFM (19.8 dm ³ /s)
Operating Temperature	Plastic Bowl	32° to 125°F (0° to 52°C)
	Metal Bowl	32° to 150°F (0° to 65,5°C)
Maximum Supply Pressure	Plastic Bowl	150 PSIG (10,3 bar)
	Metal Bowl	250 PSIG (17,2 bar)
Standard Filtration	Micron	5
Useful Retention†	oz. (cm ³)	.4 (12)
Adjusting Range Pressure		0-30 PSIG (0-2,1 bar)
		0-60 PSIG (0-4,1 bar)
		0-125 PSIG (0-8,6 bar)
Port Size	NPT / BSPP-G	1/8, 1/4
Gauge Ports** (2 ea.)	NPT	1/8
Weight	lb. (kg)	.75 (0,34)

* Inlet pressure 100 PSIG (6,9 bar). Secondary pressure 90 PSIG (6, 2 bar).

** Non gauge option only.

† Useful retention refers to volume below the quiet zone baffle.

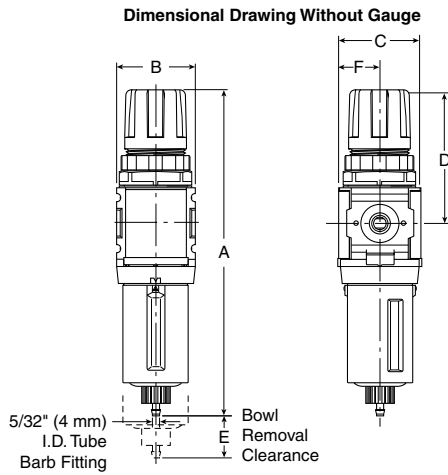
"F" Series Filters, Type "A" 5 micron elements: All Wilkerson Type "A" 5 micron elements **meet or exceed ISO Class 3** for maximum particle size and concentration of solid contaminants.

Materials of Construction

Body	Zinc	
Adjustment Knob	Acetal	
Body Cap	ABS	
Bonnet	PBT	
Bowl	Plastic Bowl Metal Bowl	Polycarbonate Zinc
Bowl Guard	Nylon	
Filter Element	Polyethylene	
Seals	Plastic Bowl Metal Bowl	Nitrile Nitrile
Springs	Steel	
Valve Assembly	Brass / Nitrile	
Diaphragm Assembly	Brass / Nitrile	
Panel Nut	Acetal	

CAUTION:

REGULATOR PRESSURE ADJUSTMENT – The working range of knob adjustment is designed to permit outlet pressures within their full range. Pressure adjustment beyond this range is also possible because the knob is not a limiting device. This is a common characteristic of most industrial regulators, and limiting devices may be obtained only by special design.



= "Most Popular"

For best performance, regulated pressure should always be set by increasing the pressure up to the desired setting.

B08-01-FK00

Replacement Bowl Kits

- Metal Bowl, Manual Drain GRP-96-714
- Plastic Bowl / Bowl Guard, Manual Drain GRP-96-712

Replacement Element Kit

- Type "A", 5 Micron FRP-96-729
- Replacement Kits
- Adjusting Knob RRP-16-005-000
- Diaphragm Assembly, Relieving GRP-96-725
- Diaphragm Assembly, Non-relieving GRP-96-726
- Valve Assembly RRP-96-727
- Spring, Regulating 0-30 PSIG (0-2,0 bar) GRP-95-111
- Spring, Regulating 0-60 PSIG (0-4,1 bar) GRP-96-718
- Spring, Regulating 0-125 PSIG (0-8,5 bar) GRP-96-717

Accessories

- Gauge Adapter Block, 1/4" NPT, GPA-97-037
- Replaces flush mount gauge
- Automatic Piston Drain GRP-96-716
- Gauge, Pressure, Flush Mounted, 0-60 PSIG GRP-96-720
- Gauge, Pressure, Flush Mounted, 0-160 PSIG GRP-96-719
- Gauge, Pressure, Flush Mounted, 0-2,0 bar GRP-96-724
- Gauge, Pressure, Flush Mounted, 0-4,1 bar GRP-96-723
- Gauge, Pressure, Flush Mounted, 0-11 bar GRP-96-722
- Gauge, Pressure, 0-60 PSIG (0-4,1 bar),
1-1/2" Dial Face, 1/8 NPT, CBM GRP-95-228
- Gauge, Pressure, 0-160 PSIG (0-11,0 bar),
1-1/2" Dial Face, 1/8 NPT, CBM GRP-95-227
- Wall Mounting Bracket, C-Type GPA-97-010
- Wall Mounting Bracket, L-Type GRP-96-739
- Tamper Resistant Kit RPA-96-735
- Panel Mount Nut, Aluminum RPA-96-733
- Panel Mount Nut, Plastic RPA-96-734

Ordering Information

Model Type	Port Size	Plastic Bowl / Bowl Guard / Manual Drain / Without Gauge 0-30 PSI (0-0,2 bar)	Plastic Bowl / Bowl Guard / Manual Drain / Without Gauge 0-125 PSI (0-8,6 bar)	Plastic Bowl / Bowl Guard / Manual Drain / With Gauge 0-30 PSI (0-2,0 bar)	Plastic Bowl / Bowl Guard / Manual Drain / With Gauge 0-125 PSI (0-8,6 bar)	Plastic Bowl / Bowl Guard / Manual Drain / Low Pressure / Without Gauge 0-60 PSI (0-4,1 bar)	Plastic Bowl / Bowl Guard / Manual Drain / Automatic Piston / With Gauge 0-125 PSI (0-8,6 bar)
Relieving	1/8	B08-01-CK00	B08-01-FK00	B08-01-CKG0	B08-01-FKG0	B08-01-DK00	B08-01-FRG0
	1/4	B08-02-CK00	B08-02-FK00	B08-02-CKG0	B08-02-FKG0	B08-02-DK00	B08-02-FRG0
Non-relieving	1/8	B08-01-PK00	B08-01-RK00	B08-01-PKG0	B08-01-RKG0	B08-01-WK00	B08-01-RRG0
	1/4	B08-02-PK00	B08-02-RK00	B08-02-PKG0	B08-02-RKG0	B08-02-WK00	B08-02-RRG0

Options - To order an option supplied with the unit model, add the appropriate coded suffix letter in the designated position of the model number. For additional information on accessories and repair kits refer to the Table of Contents.

