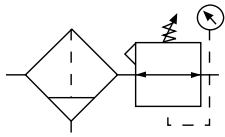


Filter / Regulator B18

= "Most Popular"



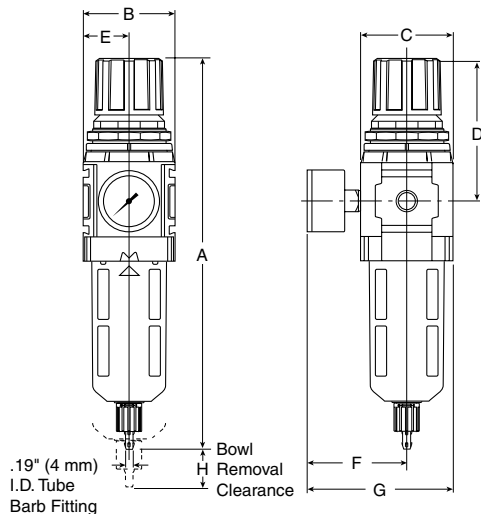
B18-02-FKG0

Features

- 5 Micron Filtration
- Balanced Valve Design
- Spring Loaded Diaphragm
- 1/2" NPT / BSPP-G Over-Ported
- Quick-Disconnect Bowl / Bowl Guard
- Light Weight
- High Flow Capacities

⚠ WARNING

**Product rupture can cause serious injury.
Do not connect regulator to bottled gas.
Do not exceed maximum primary pressure rating.**



Dimensions

Models	Inches (mm)	A	B	C	D	E	F	G	H
Standard Unit with Manual Drain B18-XX-FK00		10.0 (254)	2.36 (60)	2.36 (60)	3.66 (93)	1.2 (30)	2.57 (65)	3.74 (95)	1.6 (41)
Automatic Mechanical Drain B18-XX-FG00		9.66 (245)	2.36 (60)	2.36 (60)	3.66 (93)	1.2 (30)	2.57 (65)	3.74 (95)	1.6 (41)
Metal Bowl with Sight Gauge & Manual Drain		10.0 (254)	2.36 (60)	2.7 (69)	3.66 (93)	1.2 (30)	2.57 (65)	3.74 (95)	1.6 (41)
Metal Bowl with Sight Gauge & Auto. Drain		9.66 (245)	2.36 (60)	2.7 (69)	3.66 (93)	1.2 (30)	2.57 (65)	3.74 (95)	1.6 (41)

Specifications

Flow Capacity*	1/4	88 SCFM (41,5 dm ³ /s)
	3/8	117 SCFM (55,2 dm ³ /s)
	1/2	121 SCFM (57,1 dm ³ /s)
Operating Temperature	Plastic Bowl	32° to 125°F (0° to 52°C)
	Metal Bowl	32° to 150°F (0° to 65,5°C)
Maximum Supply Pressure	Plastic Bowl	150 PSIG (10,3 bar)
	Metal Bowl	250 PSIG (17,2 bar)
Standard Filtration	Micron	5
Useful Retention**	oz. (cm ³)	1.72 (50,9)
Adjusting Range Pressure	0-30 PSIG (0-2,1 bar)	
	0-60 PSIG (0-4,1 bar)	
	0-125 PSIG (0-8,6 bar)	
	0-250 PSIG (0-17,2 bar)	
Port Size	NPT / BSPP-G	1/4, 3/8, 1/2
Gauge Port (2 ea.)	NPT / BSPP-G	1/4
Weight	lb. (kg)	1.48 (0,67)

* Inlet pressure 100 PSIG (6,9 bar). Secondary pressure 90 PSIG (6, 2 bar).

** Useful retention refers to volume below the quiet zone baffle.

"F" Series Filters, Type "A" 5 micron elements: All Wilkerson Type "A" 5 micron elements **meet or exceed ISO Class 3** for maximum particle size and concentration of solid contaminants.

Materials of Construction

Body	Zinc	
Adjustment Knob	Acetal	
Body Cap	ABS	
Element Retainer / Baffle	Acetal	
Bowl	Plastic Bowl	Polycarbonate
	Metal Bowl	Zinc
Bowl Guard	Nylon	
Filter Element	Sintered Polyethylene	
Seals	Plastic Bowl	Nitrile
	Metal Bowl	Nitrile
Springs	Main Regulating / Valve	Steel / S.S.
Valve Assembly	Brass / Nitrile	
Diaphragm Assembly	Nitrile / Zinc	
Panel Nut	Acetal	
Sight Gauge	Metal Bowl	Polyamide (Nylon)

CAUTION:

REGULATOR PRESSURE ADJUSTMENT – The working range of knob adjustment is designed to permit outlet pressures within their full range. Pressure adjustment beyond this range is also possible because the knob is not a limiting device. This is a common characteristic of most industrial regulators, and limiting devices may be obtained only by special design.

= "Most Popular"

Replacement Bowl Kits

- Metal Bowl with Sight Gauge, Manual Drain GRP-96-636
- Metal Bowl with Sight Gauge, Automatic Drain GRP-96-637
- Plastic Bowl / Bowl Guard, Manual Drain GRP-96-634
- Plastic Bowl / Bowl Guard, Automatic Drain GRP-96-635
- Plastic Bowl / Bowl Guard, No Drain GRP-96-638

Replacement Element Kits

- Type "A", 5 Micron FRP-96-639
- Retainer, Deflector, and Element Kit FRP-96-641

Replacement Kits

- Adjusting Knob RRP-16-340-000
- Diaphragm Assembly, Relieving RRP-96-656
- Diaphragm Assembly, Non-relieving RRP-96-657
- Valve Assembly RRP-96-658
- Spring, Regulating 0-30 PSIG (0-2,1 bar) RRP-96-659
- Spring, Regulating 0-60 PSIG (0-4,1 bar) RRP-96-660
- Spring, Regulating 0-125 PSIG (0-8,6 bar) RRP-96-661
- Spring, Regulating 0-250 PSIG (0-17,2 bar) RRP-96-662

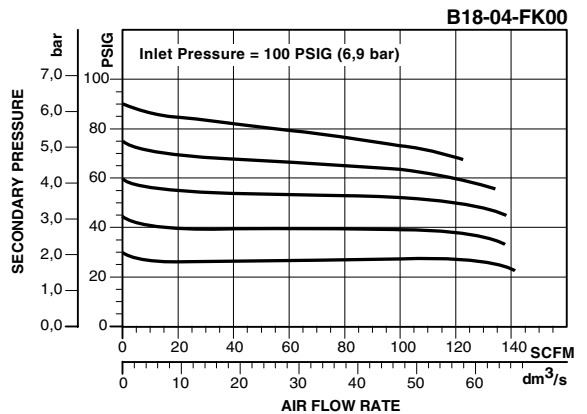
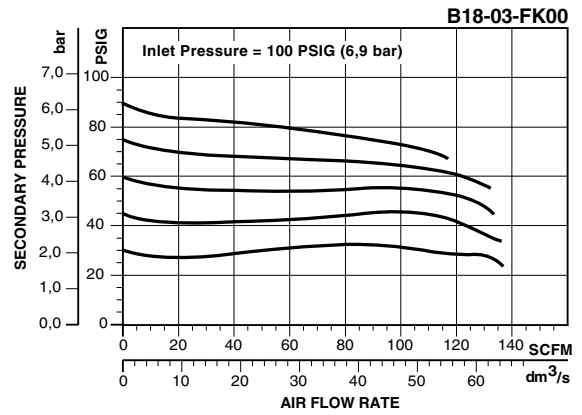
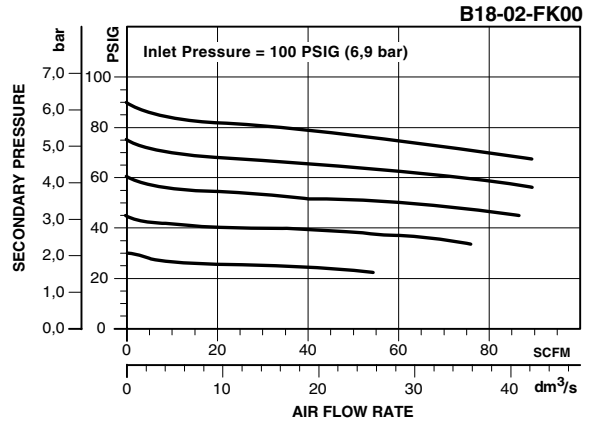
Accessories

- Automatic Mechanical Drain,
 - 1/8 NPT Fluorocarbon GRP-95-981
- Automatic Mechanical Drain, 1/8 NPT Nitrile GRP-95-973
- Manual Drain GRP-96-685
- Drain, Manual Override GRP-96-000
- Gauge, Pressure, 0-30 PSIG,
 - 1-1/2" Dial Face, 1/4 NPT CBM RRP-96-663
- Gauge, Pressure, 0-60 PSIG,
 - 1-1/2" Dial Face, 1/4 NPT CBM RRP-96-664
- Gauge, Pressure, 0-160 PSIG,
 - 1-1/2" Dial Face, 1/4 NPT CBM RRP-96-665
- Gauge, Pressure, 0-300 PSIG,
 - 1-1/2" Dial Face, 1/4 NPT CBM RRP-96-666
- Gauge, Pressure, 0-2,0 bar,
 - 1-1/2" Dial Face, G 1/4 CBM RRP-96-667
- Gauge, Pressure, 0-4,1 bar,
 - 1-1/2" Dial Face, G 1/4 CBM RRP-96-668
- Gauge, Pressure, 0-11 bar,
 - 1-1/2" Dial Face, G 1/4 CBM RRP-96-669
- Gauge, Pressure, 0-21 bar,
 - 1-1/2" Dial Face, G 1/4 CBM RRP-96-670
- Wall Mounting Bracket, L-Type GPA-96-604
- Wall Mounting Bracket, L-Type, Panel Nut Mtg. GPA-96-606
- Wall Mounting Bracket, T-Type GPA-96-602
- Tamper Resistant Kit RRP-96-671
- Panel Mount Nut, Aluminum RRP-96-673
- Panel Mount Nut, Plastic RRP-96-675

Ordering Information

Model Type	Port Size	Plastic Bowl / Bowl Guard With Gauge	Plastic Bowl / Bowl Guard With Gauge	Metal Bowl / Sight Gauge With Gauge	Plastic Bowl / Bowl Guard Without Gauge	Plastic Bowl / Bowl Guard Without Gauge	Metal Bowl / Sight Gauge Without Gauge
		5-125 PSIG (0,4-8,6 bar)	3-60 PSIG (0,2-4,1 bar)	10-250 PSIG (0,7-17,2 bar)	5-125 PSIG (0,4-8,6 bar)	3-60 PSIG (0,2-4,1 bar)	10-250 PSIG (0,7-17,2 bar)
Manual Drain	1/4	B18-02-FKG0	B18-02-DKG0	B18-02-GLG0	B18-02-FK00	B18-02-DK00	B18-02-GL00
	3/8	B18-03-FKG0	B18-03-DKG0	B18-03-GLG0	B18-03-FK00	B18-03-DK00	B18-03-GL00
	1/2	B18-04-FKG0	B18-04-DKG0	B18-04-GLG0	B18-04-FK00	B18-04-DK00	B18-04-GL00
Automatic Mechanical Drain	1/4	B18-02-FGG0	B18-02-DGG0	B18-02-GHG0	B18-02-FG00	B18-02-DG00	B18-02-GH00
	3/8	B18-03-FGG0	B18-03-DGG0	B18-03-GHG0	B18-03-FG00	B18-03-DG00	B18-03-GH00
	1/2	B18-04-FGG0	B18-04-DGG0	B18-04-GHG0	B18-04-FG00	B18-04-DG00	B18-04-GH00

Options - To order an option supplied with the unit model, add the appropriate coded suffix letter in the designated position of the model number. For additional information on accessories and repair kits refer to the Table of Contents.



For best performance, regulated pressure should always be set by increasing the pressure up to the desired setting.